

CAPABILITIES

Design Feats provides complete product design and development services for electronic and electromechanical products.

It can virtualise your product in operation and simulate its required form and function for preliminary marketing material.

Working with the latest tools and aids the deliverables can include a working proof of concept with ongoing revision of design for cost, form, feel and function.

Circuit design and verification ranging from simple analogue to complex digital products is part of the skill-set.

Design Feats has a full suite of programmers, emulators and compilers to deliver embedded or cross platform applications

Integrated CAD tools are employed throughout the design to ensure shortest time to market through a fully verified design.

It can manage subcontract manufacturing, order fulfillment and provide product support.



DESIGN FEATS

PROPRIETARY LIMITED

U11/237 Stirling Hwy Claremont WA 6010

PO Box 1022 Claremont WA 6910

Phone (08) 62625481

info@designfeats.com

Www.designfeats.com



DESIGN FEATS

PROPRIETARY LIMITED

Complete Engineering Solutions

for Business & Industry.

Electronics

Software

Mechanical

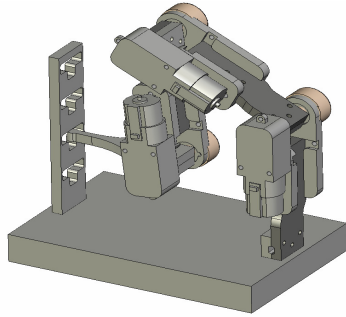
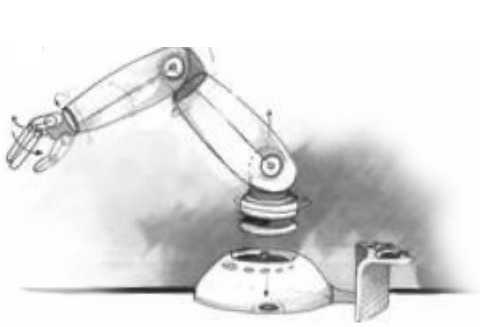
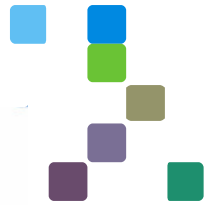
Display Systems

Automation and Art Projects

WWW.DESIGNFEATS.COM



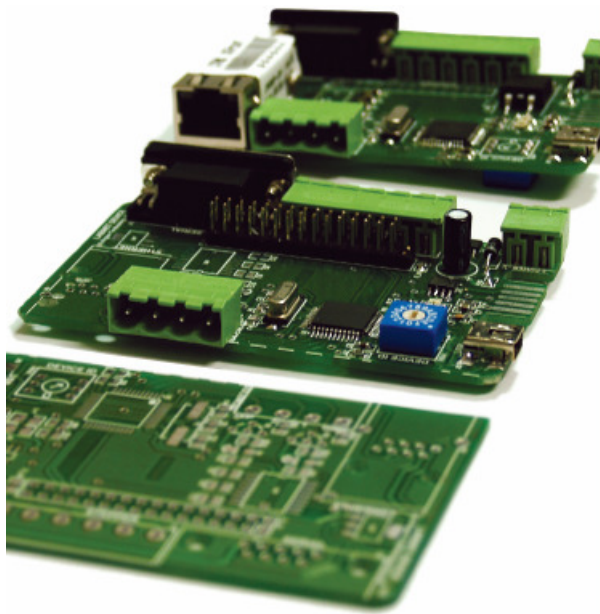
We specialize in taking designs from concept right through to commercial products



Electronic Designs

We can produce solutions for automation, control, management, monitoring, entertainment or communication. With extensive knowledge of existing technologies we can select and deploy the best and deliver unique solutions by customizing designs to suit your exact needs.

We can develop the concept, design the circuits, lay out the printed circuit boards, build the product, generate processor firmware and write management software to drive the application.



Cost Effective Outsourcing

Short staffed? Tight deadline? Skills deficient? We can help! Through our extensive experience Design Feats can undertake projects that your business or company does not have the resources to manage.

- We work on a fixed contract price or on a time and materials basis.
- Regular progress reports are provided.
- Free initial consultation and project proposal.

Outsourcing projects can be both a faster and more economical way to finding the right solution. Call Ole or David and find out what they can do for you.

Prototype to Production

Design Feats will build a prototype and ensure that the project is optimised for mass production if required. Individual component cost will be itemised and the bill of materials calculated to ensure it is in line with client expectation. The user interface and application will be analysed and taken into account when selecting design path and method.

Experienced Solutions

With more than 60 years in house experience and a handpicked team of expert industry collaborators, Design Feats can deliver even on the most complex and state of the art electronic, mechanical, robotic and software projects.



Ole Hansen

40 years + experience in electronic design, product manufacture and corporate management.



David Veerman

20 years + experience in software and hardware development and computer aided drafting.

Call Design Feats today for a free consultation on your idea or project - (08) 6262 5481

